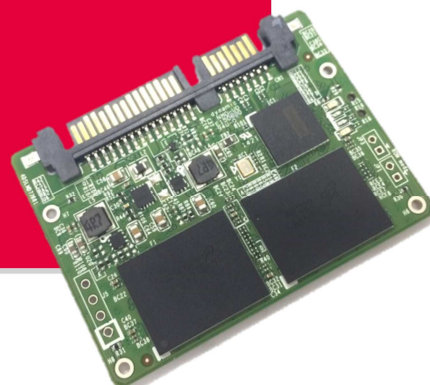


Datasheet

SATA Slim 3ME2 series

- SATA III solution for industrial field
- iSMART disk health monitoring
- Intelligent error recovery system
- Excellent data transfer speed
- Zero mechanical interference
- Support iData Guard

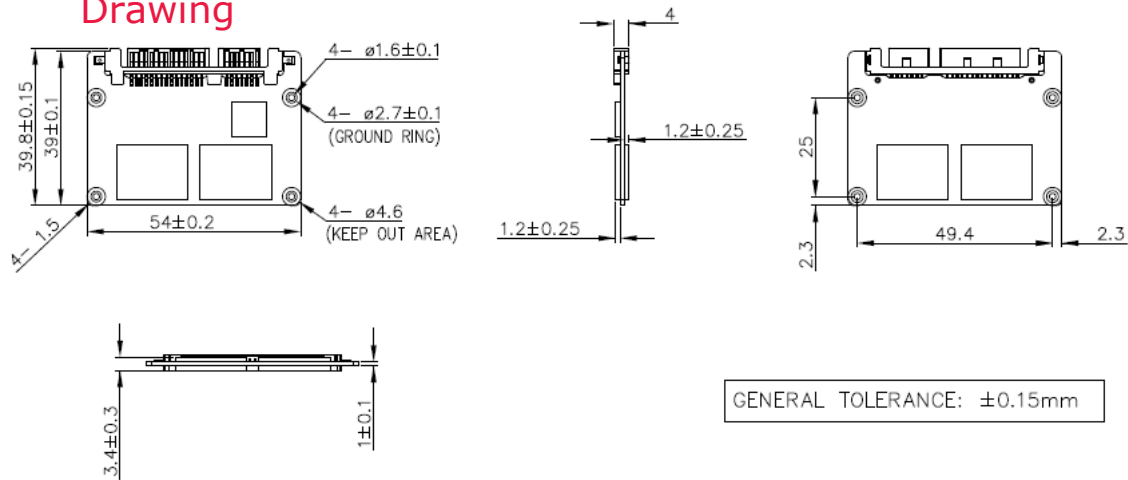


Introduction

Innodisk SATA Slim 3ME2 is SATA III 6Gb/s Flash based disk, which is designed with standard SATA interface (7+15 SATA connector), and compliant with JEDEC MO-297 standard. With its smaller dimension, SATA Slim 3ME2 is an alternative solution of 2.5" SSD for those embedded system that may have mechanical and space concerns. Innodisk SATA Slim 3ME2 operates under SATA III (6.0Gb/s) interface with excellent performance and reliability making it the ideal solution for a variety of applications, including embedded system, and industrial field.

SATA Slim 3ME2 series

Drawing



Specifications

Headquarters (Taiwan)

5F., No.237, Sec. 1, Datong Rd.,
Xizhi Dist., New Taipei City 221,
Taiwan (R.O.C.)

Tel: +886-2-77033000

Email: sales@innodisk.com

Branch Offices:

USA

usasales@innodisk.com

+1-510-770-9421

Europe

eusales@innodisk.com

+31-040-282-1818

Japan

jpsales@innodisk.com

+81-3-6667-0161

China

sales_cn@innodisk.com

+86-755-21673689

www.innodisk.com

© 2016 Innodisk Corporation.

All right reserved. Specifications
are subject to change without
prior notice.

Interface	SATA III
Flash Type	MLC
Capacity	8GB~256GB
Max. Channels	4
Sequential R/W (MB/sec, max.)	510 / 330
Max. Power Consumption	1.67W (5V x 335 mA)
Thermal Sensor	√
External DRAM Buffer	-
H/W Write Protect	-
Pin7 Power	-
ATA Security	√
S.M.A.R.T.	√
Dimension (WxLxH)	54.0 X 39.0 X 4.0 mm
Environment	Vibration: 20G @7~2000Hz Shock: 1500G @ 0.5ms Storage Temperature: -55°C ~ +95°C MTBF: 3 million hours

20160902

Ordering Information

Operation Temp.	8GB	16GB	32GB	64GB	128GB	256GB
Standard Grade (0°C ~ +70°C)	DESLM-08GD72BC1SC	DESLM-16GD72BC1DC	DESLM-32GD72BC1QC DESLM-32GD72SCADN	DESLM-64GD72BC1QC DESLM-64GD72SCAQN	DESLM-A28D72BC1QC DESLM-A28D72SCAQN	DESLM-B56D72BC1QC DESLM-B56D72SCAQN
Industrial Grade (-40°C ~ +85°C)	DESLM-08GD72BW1SC	DESLM-16GD72BW1DC	DESLM-32GD72BW1QC DESLM-32GD72SWADN	DESLM-64GD72BW1QC DESLM-64GD72SWAQN	DESLM-A28D72BW1QC DESLM-A28D72SWAQN	DESLM-B56D72BW1QC DESLM-B56D72SWAQN

innodisk

www.innodisk.com