

XM51 – ESMexpress® COM with PowerPC® QorIQ™ P4080

- Freescale™ QorIQ™ P4080, P4040 or P3041
- Power Architecture e500mc CPU
- Up to 8 cores, up to 1.5 GHz
- Up to 16 GB ECC DDR3 SDRAM, 1 or 2 controllers
- Up to 128 KB FRAM, up to 256 MB Flash
- 2 Gb Ethernet, 4 USB 2.0, 1 USB client
- 2 SATA (3 Gbit/s), 2 PCIe® x1 (5 Gbit/s)
- U-Boot Universal Boot Loader
- -50°C to +85°C Tcase with qualified components
- Conduction cooling



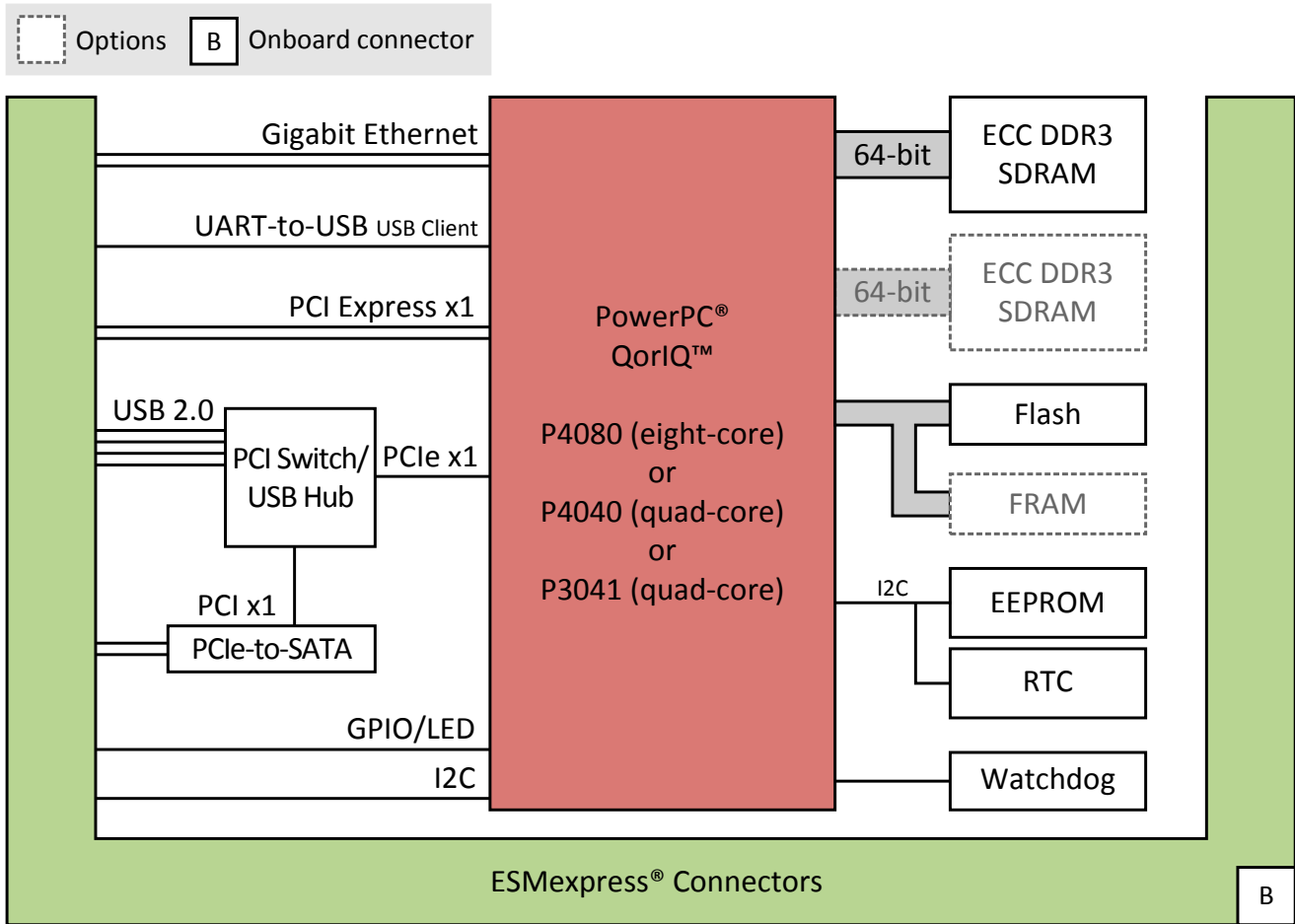
The XM51 is a multi-core computer-on-module based on the Freescale™ PowerPC® QorIQ™ family. Together with an application-specific carrier board it forms a semi-custom solution for industrial, harsh, mobile and mission-critical environments.

The XM51 is built around a QorIQ™ P4080, P4040 or P3041 running at frequencies between 1.2 and 1.5 GHz. All types have multi-core performance and advanced processing functions (incl. encryption), but the XM51 is still scalable to individual needs. The eight-core P4080 is a high-end number cruncher, while the P3041 aims at power and cost efficiency. The entire board draws a maximum power of 32 W and supports extended operating temperatures in all configurations. The COM has up to 16 GB of soldered ECC main memory driven by two independent controllers. The two RAM banks can be assigned to processor cores to avoid access conflicts and assure deterministic behavior. This facilitates building up certifiable solutions for safety-critical avionics or railway applications. Up to 512 KB industrial, non-volatile FRAM and 256 MB Flash round out the XM51's onboard memory. Further capacity can be added on the carrier board as needed via high-speed serial busses, i.e. USB or SATA.

All interfaces routed from the QorIQ™ processor are available on any ESMexpress® carrier board. Those include four USB 2.0 host ports and one USB client realized using a UART-to-USB converter, two Gigabit Ethernet channels, dual 3-Gbit SATA, and two PCI Express® x1 links. The latter support PCIe® 2.x with data rates of 5 Gbit/s per lane. The XM51 is qualified for operation in a -50°C to +85°C conduction or convection cooled environment. As all ESMexpress® modules it is embedded in a covered frame. This ensures EMC protection and allows efficient [conductive cooling](#). Air cooling is also possible by applying a heat sink on top of the cover. ESMexpress® modules are firmly screwed to a carrier board and come with rugged industry-proven connectors supporting high frequency and differential signals. Only soldered components are used to withstand shock and vibration, and the design is optimized for conformal coating. All ESMexpress® modules support a single 95 x 125 mm form factor.

For evaluation and development purposes an ATX carrier board is available. The ESMexpress® module can be evaluated on a COM Express® carrier board via an adapter from ESMexpress® to COM Express®.

Diagram



Technical Data

CPU	<ul style="list-style-type: none"> ■ Freescale™ QorIQ™ P4080 or P4040 or P3041 <ul style="list-style-type: none"> □ 1.2 GHz up to 1.5 GHz □ Eight/four high-performance Power Architecture e500mc cores
Memory	<ul style="list-style-type: none"> ■ 32 KB instruction and data L1 cache and private 128 KB L2 cache per processor core ■ Up to 16 GB SDRAM system memory <ul style="list-style-type: none"> □ Soldered □ DDR3 with ECC support □ Up to 667 MHz memory bus frequency, depending on processor configuration □ P4080/P4040 with two independent memory controllers, P3041 with one controller ■ Up to 256 MB boot/program Flash ■ 128 KB non-volatile FRAM ■ Serial EEPROM 8 kbits for factory settings
Serial ATA (SATA)	<ul style="list-style-type: none"> ■ Two ports via ESMexpress® connector ■ SATA Revision 2.x support ■ Transfer rates up to 300 MB/s (3 Gbit/s) ■ Via PCIe®-to-SATA bridge
USB	<ul style="list-style-type: none"> ■ Four USB 2.0 host ports via ESMexpress® connector <ul style="list-style-type: none"> □ OHCI and EHCI implementation □ Data rates up to 480 Mbit/s ■ One USB client port via ESMexpress® connector <ul style="list-style-type: none"> □ Via UART-to-USB converter □ Data rates up to 230.4 kbit/s □ 16-byte transmit/receive buffer □ Handshake lines: none
Ethernet	<ul style="list-style-type: none"> ■ Two 10/100/1000Base-T Ethernet channels ■ Two LED signals per channel for LAN link and activity status and connection speed ■ Accessible via ESMexpress® connector
PCI Express®	<ul style="list-style-type: none"> ■ Two x1 links via ESMexpress® connector ■ PCIe® 2.x support ■ Data rate 500 MB/s in each direction (5 Gbit/s per lane)
GPIO	<ul style="list-style-type: none"> ■ 3 lines via ESMexpress® connector
I2C Bus	<ul style="list-style-type: none"> ■ 1 interface via ESMexpress® connector
Miscellaneous	<ul style="list-style-type: none"> ■ Real-time clock (with supercapacitor or battery backup on the carrier board) ■ Temperature sensor, power supervision and watchdog
Electrical Specifications	<ul style="list-style-type: none"> ■ Supply voltage/power consumption: <ul style="list-style-type: none"> □ +12V (9..16 V), 32 W max.
Mechanical Specifications	<ul style="list-style-type: none"> ■ Dimensions: 95 mm x 125 mm (conforming to ESMexpress® specification) ■ ESMexpress® PCB mounted between a frame and a cover ■ Weight: 230 g (incl. cover and frame)
Environmental Specifications	<ul style="list-style-type: none"> ■ Temperature range (operation): -50..+85°C Tcase (ESMexpress® cover/frame) (qualified components) ■ Temperature range (storage): -50..+85°C ■ Relative humidity (operation): max. 95% non-condensing ■ Relative humidity (storage): max. 95% non-condensing ■ Altitude: -300 m to +3000 m ■ Shock: 15 g, 11 ms (EN 60068-2-27) ■ Bump: 10 g, 16 ms (EN 60068-2-29) ■ Vibration (sinusoidal): 1 g, 10 Hz - 150 Hz (EN 60068-2-6) ■ Conformal coating on request
MTBF	<ul style="list-style-type: none"> ■ 475 088 h @ 40°C according to IEC/TR 62380 (RDF 2000)

Technical Data

Safety	<ul style="list-style-type: none">■ PCB manufactured with a flammability rating of 94V-0 by UL recognized manufacturers
EMC	<ul style="list-style-type: none">■ EMC behavior depends on the system and housing surrounding the ESMexpress® module.■ MEN has performed general, successful EMC tests for ESMexpress® using the XC1 evaluation carrier according to:<ul style="list-style-type: none">□ EN 55022 (radio disturbance)□ IEC 61000-4-2 (ESD)□ IEC 61000-4-3 (electromagnetic field immunity)□ IEC 61000-4-4 (burst)□ IEC 61000-4-5 (surge)□ IEC 61000-4-6 (conducted disturbances)
BIOS	<ul style="list-style-type: none">■ U-Boot Universal Boot Loader
Software Support	<ul style="list-style-type: none">■ VxWorks®■ Linux (on request)■ For more information on supported operating system versions and drivers see Downloads.

Configuration & Options

Standard Configurations

Article No.	CPU Type	Clock	System RAM	Flash	FRAM	Temperature	Cover
15XM51-00	Eight-core P4080	1.2 GHz	2 x 1 GB, 600 MHz	64 MB	128 KB	-40..+85°C Tcase	yes

Options

CPU	<ul style="list-style-type: none"> ■ QorIQ™ P4080 or P4040 or P3041 <ul style="list-style-type: none"> □ P4080: eight cores, up to 16 GB DDR3 RAM (two controllers), 2 MB L3 cache, 30 W max. (processor) □ P4040: four cores, up to 16 GB DDR3 RAM (two controllers), 2 MB L3 cache, 24 W max. (processor) □ P3041: four cores, up to 8 GB DDR3 RAM (one controller), 1 MB L3 cache, 18.2 W max. (processor) ■ All processors available with 1.2 GHz, 1.33 GHz or 1.5 GHz
Memory	<ul style="list-style-type: none"> ■ System RAM <ul style="list-style-type: none"> □ One or two memory banks, depending on processor type □ 2 GB, 4 GB, 8 GB □ 16 GB (only possible with two banks, P4080 or P4040) □ Currently only 2 GB are supported by U-Boot and BSP ■ Boot/program Flash <ul style="list-style-type: none"> □ 64 MB, 128 MB or 256 MB ■ FRAM <ul style="list-style-type: none"> □ 0 KB or 128 KB
Software Support	<ul style="list-style-type: none"> ■ Linux; processors are supported, U-Boot support already implemented

Please note that some of these options may only be available for large volumes. Please ask our sales staff for more information.

Ordering Information

Standard XM51 Models	15XM51-00	P4080 (8 cores), 1.2 GHz, 2 GB DDR3 SDRAM, 64 MB Flash, 128 KB FRAM, 2 Gb Ethernet, 2 PCIe [®] x1, 4 USB 2.0 host ports, 1 USB client port, with frame and cover, -50..+85°C (qualified components)
Related Hardware	08AE12-00	ESMexpress [®] module to COM Express [®] carrier adapter, 0..+60°C
	08XC01-00	Evaluation and development board for all ESMexpress [®] modules (coming with top cover and frame), 0..+60°C, incl. faceplate, 4 GB USB Flash Disk and USB cable type A to A
Miscellaneous Accessories	0712-0019	Standard ATX PSU, 350 W, 0..+40°C
Software: VxWorks[®]	This product is designed to work under VxWorks [®] . For details regarding supported/unsupported board functions please refer to the corresponding software data sheets.	
	10XM51-60	VxWorks [®] BSP (MEN) for XM51
Software: Firmware/BIOS	This product uses the U-Boot bootloader available from DENX together with board-specific additions from MEN.	
	14XM51-00	U-Boot Bootloader (DENX/MEN) for XM51
Software: Miscellaneous	A Windows [®] USB2UART driver from FTDI is available for XM50, XM51 and F50P/F50C Windows [®] hosts.	

[More info & downloads](#)

For operating systems not mentioned here [contact MEN sales](#).

Documentation	Compare Chart Computer-On-Modules » Download	
	You can find general literature on MEN computer-on-modules, including presentations about ESMexpress [®] , ESMini and their cooling concept, in our Download Library .	
	20XM51-00	XM51 User Manual
	20XM51-ER	XM51 Errata

Contact Information

Germany

MEN Mikro Elektronik GmbH
Neuwieder Straße 3-7
90411 Nuremberg
Phone +49-911-99 33 5-0
Fax +49-911-99 33 5-901

info@men.de
www.men.de

France

MEN Mikro Elektronik SAS
18, rue René Cassin
ZA de la Châtelaine
74240 Gaillard
Phone +33 (0) 450-955-312
Fax +33 (0) 450-955-211

info@men-france.fr
www.men-france.fr

USA

MEN Micro Inc.
860 Penllyn Blue Bell Pike
Blue Bell, PA 19422
Phone (215) 542-9575
Fax (215) 542-9577

sales@menmicro.com
www.menmicro.com

The date of issue stated in this data sheet refers to the Technical Data only. Changes in ordering information given herein do not affect the date of issue. All brand or product names are trademarks or registered trademarks of their respective holders.

MEN is not responsible for the results of any actions taken on the basis of information in the publication, nor for any error in or omission from the publication.

MEN expressly disclaims all and any liability and responsibility to any person, whether a reader of the publication or not, in respect of anything, and of the consequences of anything, done or omitted to be done by any such person in reliance, whether wholly or partially, on the whole or any part of the contents of the publication.

The correct function of MEN products in mission-critical and life-critical applications is limited to the environmental specification given for each product in the technical user manual. The correct function of MEN products under extended environmental conditions is limited to the individual requirement specification and subsequent validation documents for each product for the applicable use case and has to be agreed upon in writing by MEN and the customer. Should the customer purchase or use MEN products for any unintended or unauthorized application, the customer shall indemnify and hold MEN and its officers, employees, subsidiaries, affiliates, and distributors harmless against all claims, costs, damages, and expenses, and reasonable attorney fees arising out of, directly or indirectly, any claim or personal injury or death associated with such unintended or unauthorized use, even if such claim alleges that MEN was negligent regarding the design or manufacture of the part.

In no case is MEN liable for the correct function of the technical installation where MEN products are a part of.

Copyright © 2015 MEN Mikro Elektronik GmbH. All rights reserved.